

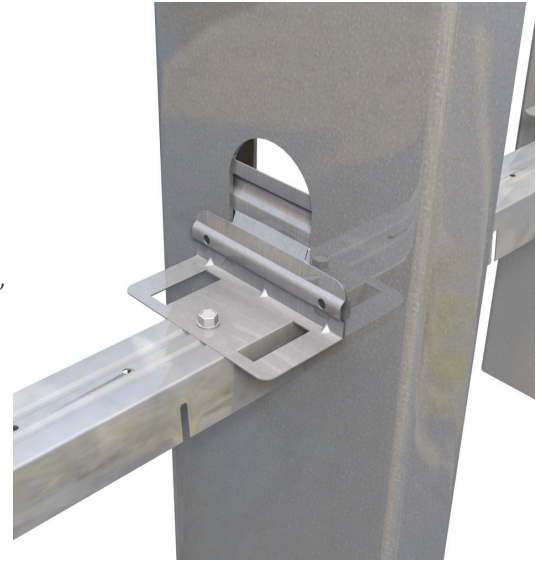
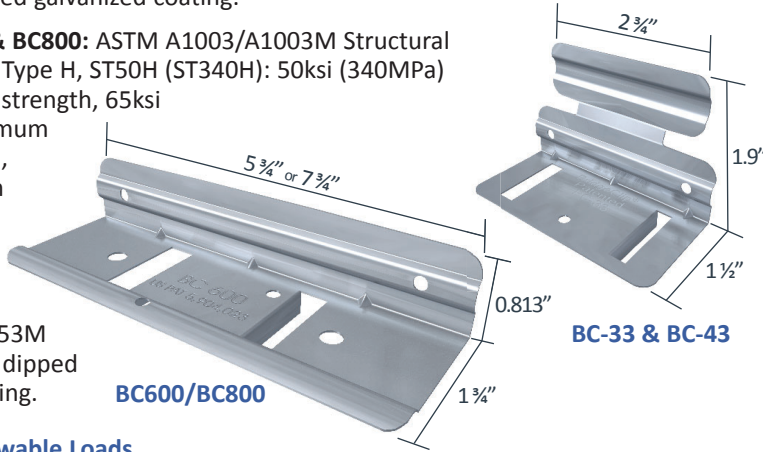
BridgeClip®

Secures Channel to Stud

Material Composition

BC-33: ASTM A1003/A1003M Structural Grade 50 (340) Type H, ST50H (ST340H): 50ksi (340MPa) minimum yield strength, 65ksi (450MPa) minimum tensile strength, 33mil minimum thickness (20 gauge, 0.0346" design thickness) with ASTM A653/A653M G90 (Z275) hot dipped galvanized coating.

BC-43, BC600 & BC800: ASTM A1003/A1003M Structural Grade 50 (340) Type H, ST50H (ST340H): 50ksi (340MPa) minimum yield strength, 65ksi (450MPa) minimum tensile strength, 43mil minimum thickness (18 gauge, 0.0451" design thickness) with ASTM A653/A653M G90 (Z275) hot dipped galvanized coating.



BridgeClip Allowable Loads

BridgeClip	Stud Depth	Stud Thickness (mils) (ga)	Axially Loaded Stud, Allowable Brace Strength F1 (lbs)	Laterally Loaded Stud, Allowable Torsional Moment M1 (in.lbs)
BC-33, 1	3.625/4	33 (20)	75	132
		43 (18)		143
		54 (16)		156
BC-43, 1	3.625/4	33 (20)	112	168
		43 (18)		179
		54 (16)		192
BC-33, 3	3.625/4	33 (20)	360	192
		43 (18)		221
		54 (16)		252
BC-43, 3	3.625/4	33 (20)	433	240
		43 (18)		297
		54 (16)		360
BC-33, 1	6	33 (20)	75	192
		43 (18)		252
		54 (16)		264
		68 (14)		307
BC-43, 1	6	33 (20)	112	396
		43 (18)		240
		54 (16)		372
		68 (14)		324
BC-33, 3	6	33 (20)	360	468
		43 (18)		228
		54 (16)		254
		68 (14)		324
BC-43, 3	6	33 (20)	433	408
		43 (18)		324
		54 (16)		384
		68 (14)		372
BC600	6	33 (20)	170	407
		43 (18)		480
		54 (16)		684
		68 (14)		792
BC-33, 1	8	33 (20)	75	864
		43 (18)		887
		54 (16)		936
		68 (14)		144
BC-43, 1	8	33 (20)	112	178
		43 (18)		216
		54 (16)		192
		68 (14)		232
BC-33, 3	8	33 (20)	360	276
		43 (18)		240
		54 (16)		280
		68 (14)		324
BC-43, 3	8	33 (20)	433	288
		43 (18)		339
		54 (16)		396
		68 (14)		288
BC800	8	33 (20)	170	756
		43 (18)		790
		54 (16)		828
		68 (14)		851
		97 (12)	360	900

Load Direction

US Patent #5,904,023

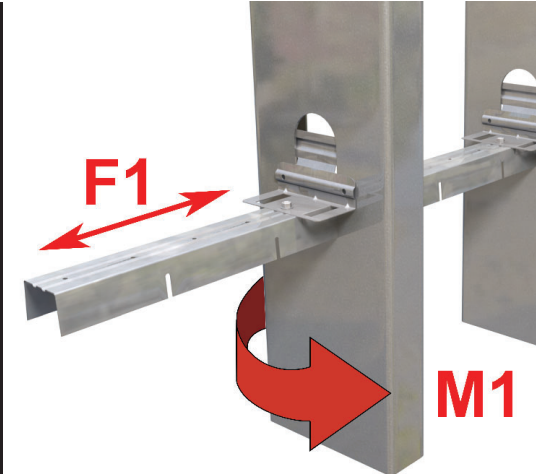


Table Notes:

- Listed ASD allowable loads are based on ultimate test data divided by a factor of safety.
- Listed ASD allowable loads are limited by screw shear or pullout at stud web.

Table Nomenclature	Clip	Qty # 10 Screws into Bridging	Qty # 10 Screws into Stud
BC-33, 1	BC-33	1	0
BC-33, 3	BC-33	1	2
BC-43, 1	BC-43	1	0
BC-43, 3	BC-43	1	2
BC600	BC600	2	2
BC800	BC800	2	2

Nomenclature

BridgeClip is designated by the type BC.