

a³LiGN™

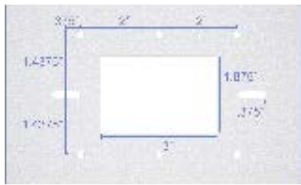
Panel Alignment

Material Composition

AOP/ARP Plates: ASTM A1003 ST50H, 50ksi minimum yield strength, 65ksi minimum tensile strength, 97mil or 118mil minimum thickness (12 gauge, 0.1017" design thickness or 10 gauge, 0.1242" design thickness) with ASTM A653 G90 min Coating or Approved Equivalent.

ABT/APT Plates: ASTM A1011 HSLAS Grade 50 Class 1 P&O (Or Approved Equivalent), 50ksi minimum yield strength, 65ksi minimum tensile strength, 97mil or 118mil minimum thickness (12 gauge, 0.1017" design thickness or 10 gauge, 0.1242" design thickness) with ASTM B841 Class 1 Grade 10 Type AN/E Colorless Zinc/Nickel Coating. RoHS Compliant.

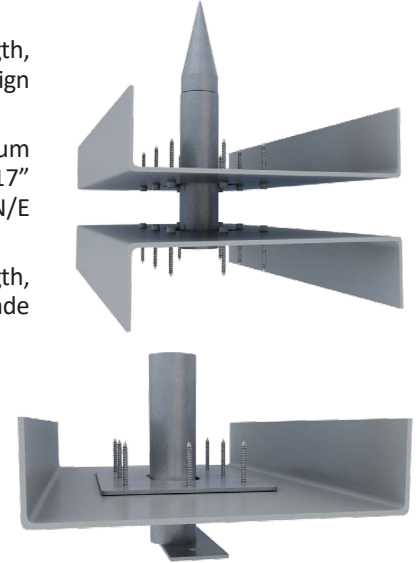
Pipe: ASTM A500 Grade B, Bare Steel Pipe, 46ksi minimum yield strength, 58ksi minimum tensile strength, 0.1330" nominal Wall Thickness, 0.1204" minimum Coated Wall Thickness, with ASTM B841 Class 1 Grade 10 Type AN/E Colorless Zinc/Nickel Coating. RoHS Compliant.



Typical Track Punch Pattern



ARP or AOP with APT - Full Assembly



ARP or AOP with APT - Full Assembly

The attachment of a³LiGN plates to wall panel top and bottom tracks is made with (8) screw anchors through a standard pre-punched hole pattern in the track sections.

a³LiGN™ Allowable Loads*

a ³ LiGN™ ASD Loads, F2 Direction (lbs)				
Track Thickness	1 1/4" Framing Gap		2" Framing Gap	
	Plate Thickness / Yield Strength		Plate Thickness / Yield Strength	
Mils (ga)	97mil (12ga) / 50 ksi	118mil (10ga) / 50 ksi	97mil (12ga) / 50 ksi	118mil (10ga) / 50 ksi
54 (16)	817	837	426	377
68 (14)	975	1,083	446	544
97 (12)	1,026	1,365	534	720

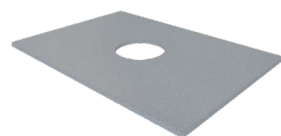
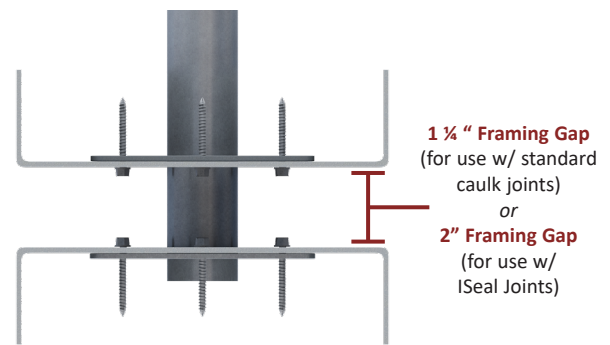
Notes:

1. Allowable loads are valid for alignment plate attachments to tracks when using #12-14 SDS.
2. Screws are to be fastened through the top and bottom track into the alignment plates, with the screw points pointing away from the framing gap.
3. Framing gap is the gap between the top and bottom track, considered as 1-1/4" (for standard caulk joints) or 2" (for ISeal joints).
4. Alignment plates are assumed to be attached to the top and bottom track with the 'long' dimension parallel to the run of the wall.
5. Allowable loads have not been increased for wind, seismic, or other factors.
6. Slotted hole plates allow up to 1-1/8" horizontal pin movement (9/16" in each direction) to align panel framing.

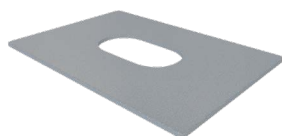
* For LRFD Strengths contact TSN technical services at 888-474-4876.

Nomenclature

a³LiGN™ alignment plates and assemblies are available slotted, round, and in two thicknesses: 97mil and 118mil. Alignment pins are welded to round hole plates and drift pins are removable guides for panel installation. An alignment base configuration is also available for direct attachment to structure.



ARP12 (97 mil) or
ARP10 (118 mil)



AOP12 (97 mil) or
AOP10 (118 mil)



ABT (118 mil Plate
with Tube)



APT12 (97 mil Plate w/Tube)
APT10 (118 mil Plate w/ Tube)



ADP (Removable
Drift Pin)

*The Steel Network, Inc. (TSN) is the exclusive distributor for a³LiGN, by PeerEngine, LLC. For more warranty information, see PeerEngine's ISeal EP Limited Warranty.